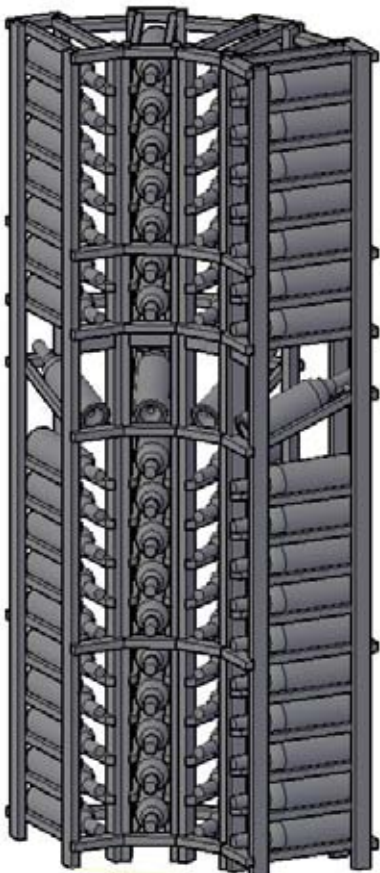




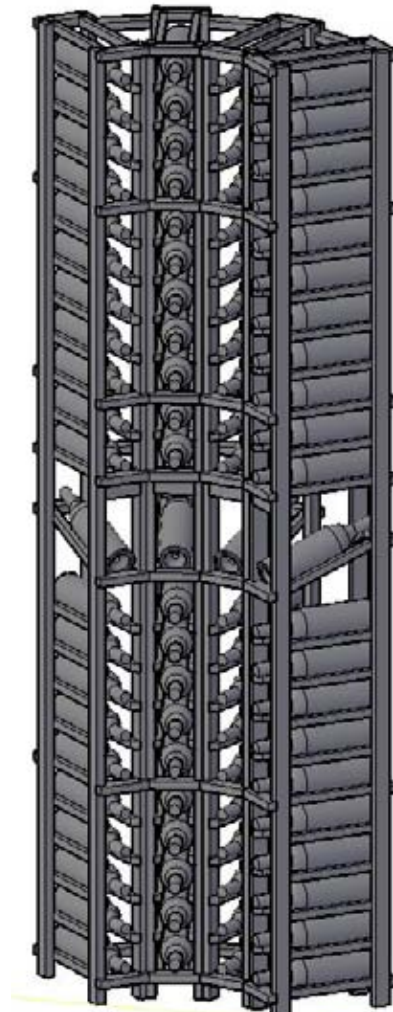
Superior Design & Craftsmanship

Wine Rack Assembly Instructions

4 COLUMN SEGMENTED CORNER W/ HIGH REVEAL



Classic



Estate

Congratulations! You have purchased the finest wine racking available anywhere. Properly assembled, your Vigilant wine racks will outlast even your finest wines. Please call toll free 888-812-4427 if you have any questions or problems.

Tools Required for Assembly

- Electric drill or cordless screw gun
- 9/64" drill bit
- Phillips Head Screwdriver
- #2 Square drive bit / #2 Phillips bit
- Hammer, preferably rubber or soft-faced

NOTE: If you have chosen your wine rack to be manufactured without pre-drilled holes, you will need a pneumatic nail gun to properly assemble your rack.

Tips for Building Your Wine Racks

Before assembling your rack, line up all of your spacer bars.

If you are using a powered screw gun that has a clutch, make sure to set it at a low setting first until you find the right setting. If you have it set high it may over-tighten and then split the wood.

Pre-drill all screw holes with a 9/64" drill bit. This makes it less likely for your wood to split. (The easiest way to do this is to follow the pre-drilled holes provided on certain pieces as your guide.)

When you screw through the spacer bar and into the ladder upright do not over-tighten, especially on the end locations. Over-tightening can cause your spacer bar to split.

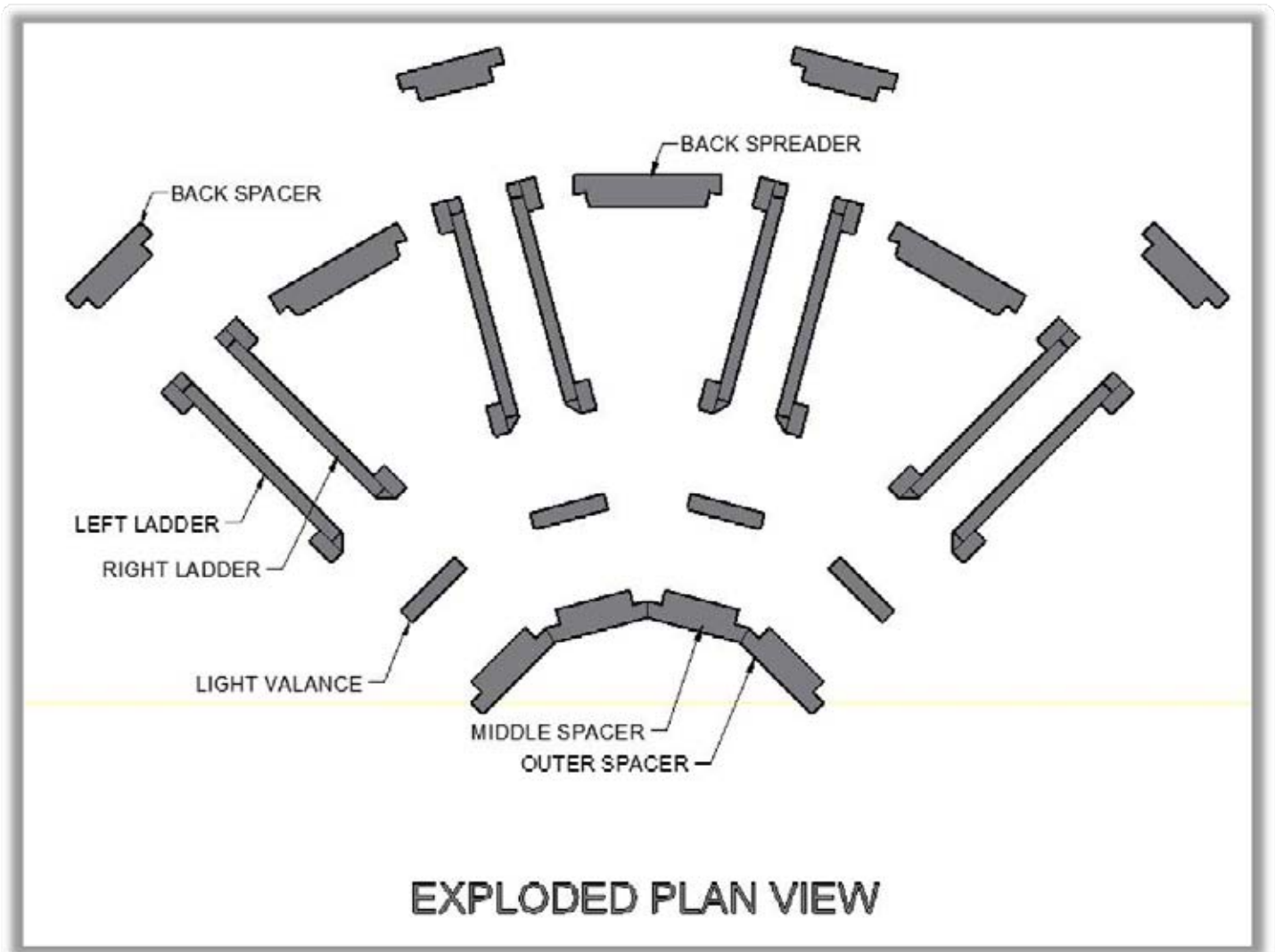
Make sure you align the top of your spacer bar to the top of the spacer slat.

When attaching your rack to the wall it is easiest to drill through your top back spacer bar and into the wall stud.

When attaching racks to adjacent racking we recommend using clamps to hold the adjacent racks together before securing with screws.

The best placement for your screws, to secure adjacent racks is under all spacer bar locations. This keeps the screws hidden and keeps your rack secure and steady.

Exploded View



Parts List

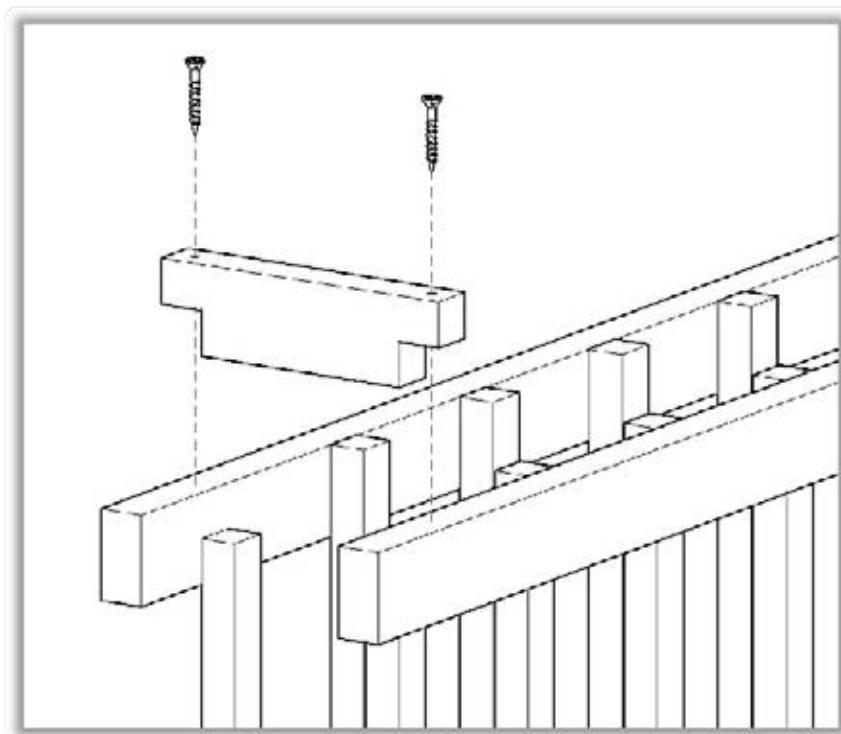
Before starting, carefully review the parts and quantities against the parts list to make sure you have everything you need. Then read through the instructions, taking time to familiarize yourself with the pieces and steps.

Product Line	Columns	Left Ladders	Right Ladders	Outer Spacer	Middle Spacer	Back Spacer	Back Spreader	Light Valance	Screws	Screw Caps
Estate (92 1/2")	4	4	4	14	14	28	9	4	138	56
Classic (77 1/2")	4	4	4	12	12	24	9	4	122	48

STEPS FOR ASSEMBLY

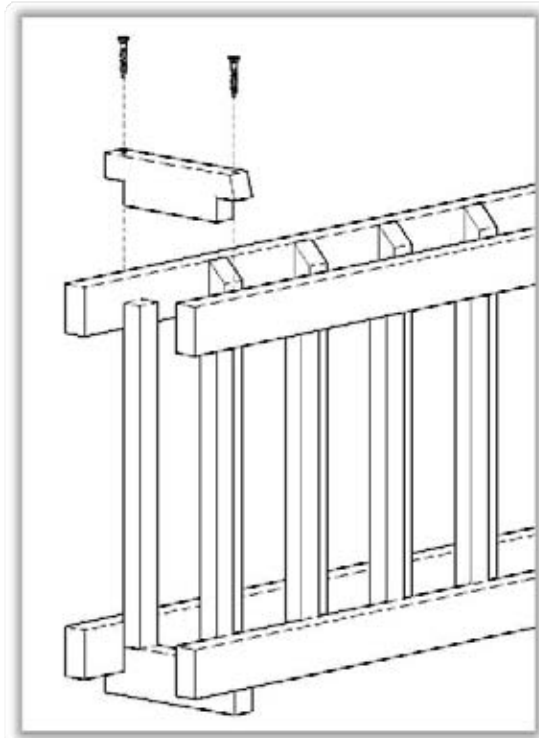
If your racking was ordered with no holes replace all steps that involve screwing with using a pneumatic nail gun. We suggest using 1 1/2" to 2" long 18 gauge brads. We also recommend for step 7 that screws be used to help protect the integrity of the assembly.

1. Locate 1 left ladder, 1 right ladder, and back spacers. With the face of the ladders on the work surface, affix the spacer bars by pre-drilling through the spacer bar holes into the ladder upright and affix with screws. Repeat this step until all the back spacers have been affixed.

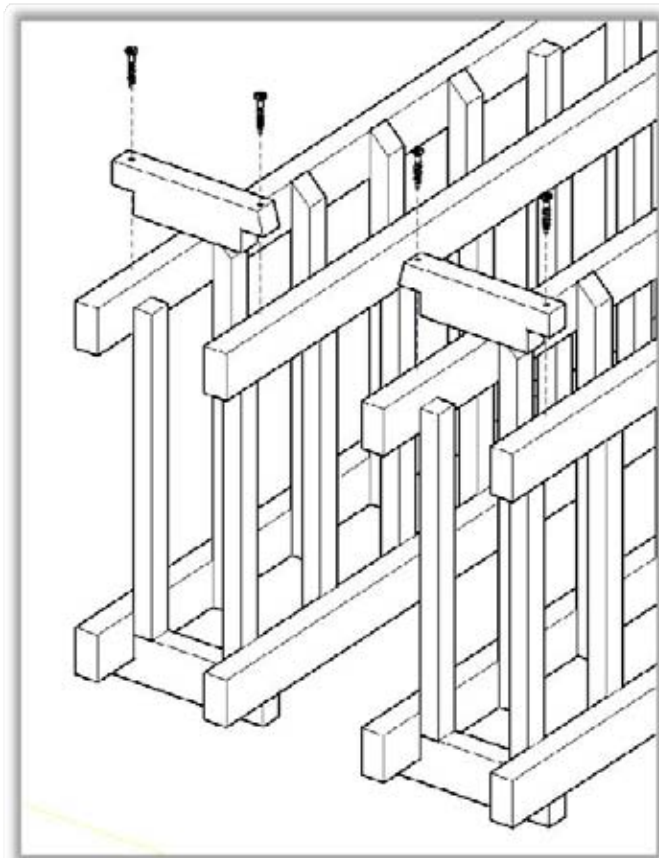


2. Carefully flip the assembly over so that the spacer bars that were just affixed are now on the work surface.

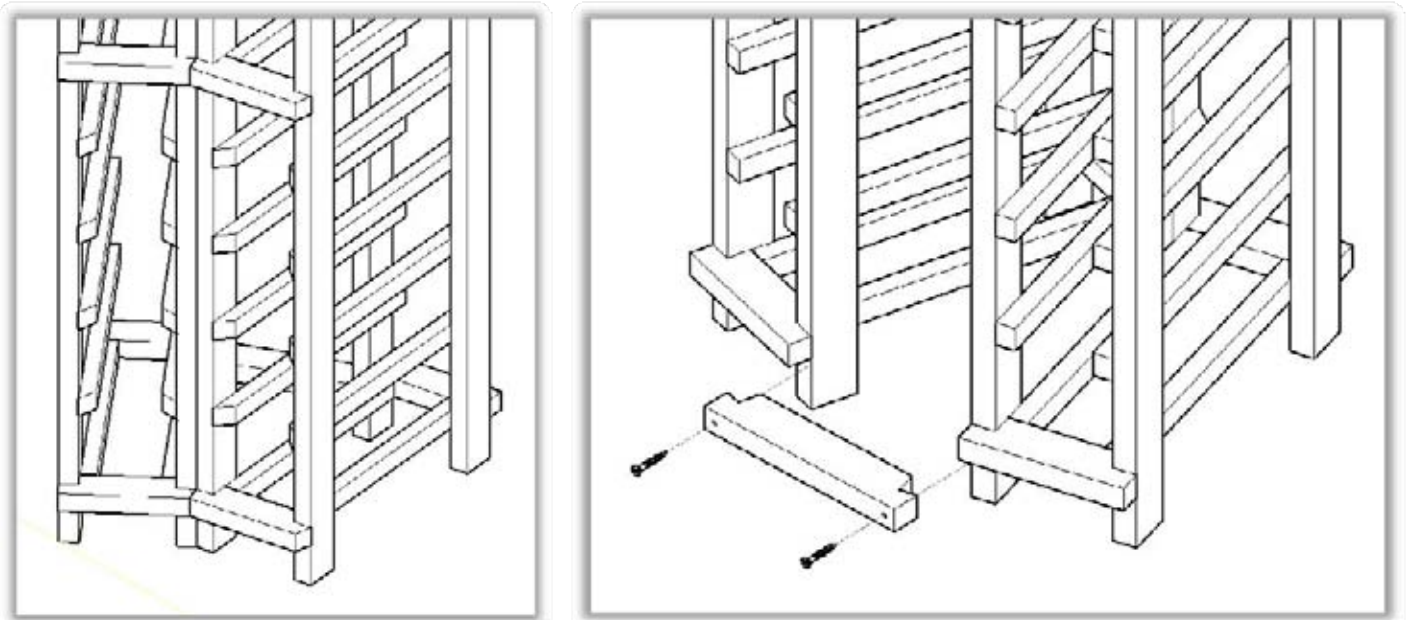
3. Locate the outer spacers and affix them to the front of the ladders using the same process as described in step 1. Repeat this step until all the outer spacers have been affixed. When this step is complete you will have one finished column, three more to go!



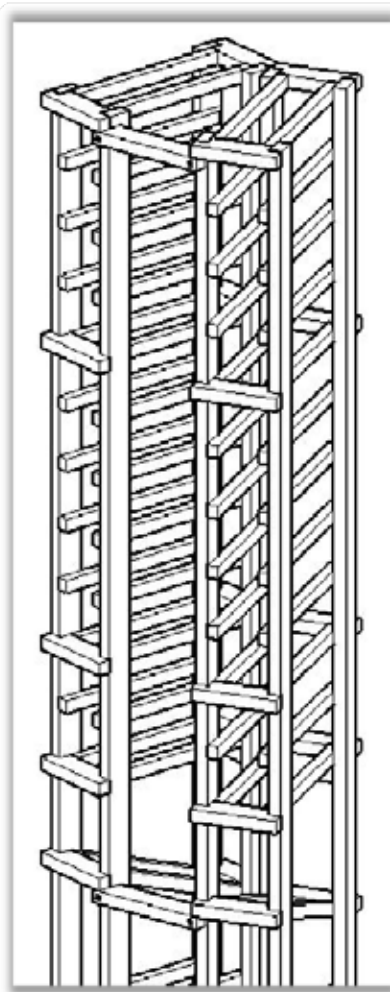
4. Repeat steps 1 through 3 for the remaining 3 columns. **When assembling the other outside column it is important to make sure that the front spacers are affixed the opposite way as in step 3.**



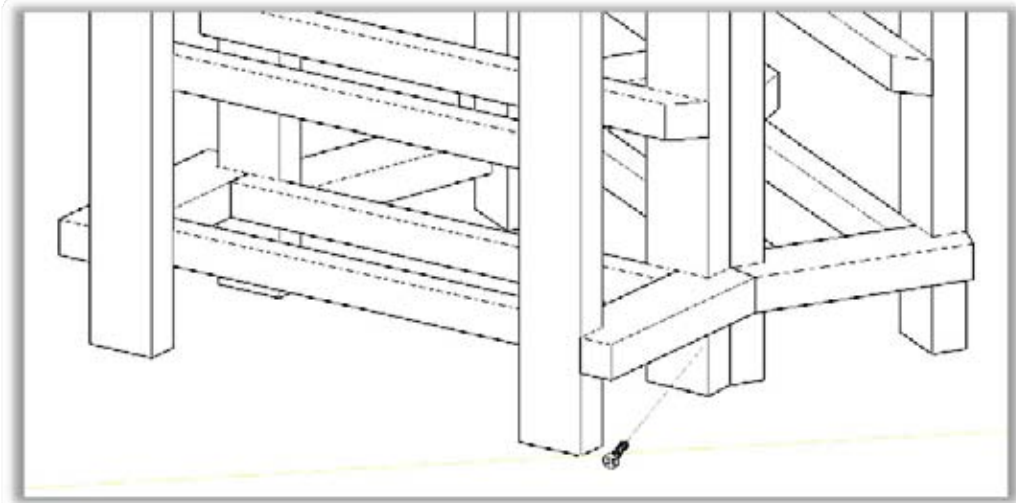
5. Stand up the assembled columns. Position 1 outer column and 1 middle column so the front spacers are touching as seen below. Locate the back spreaders and affix them to the backs of the 2 columns as seen below. The back spreader should be located just below the back spacers



6. Repeat step 5 for additional back spreaders. Reference the image below for locations.



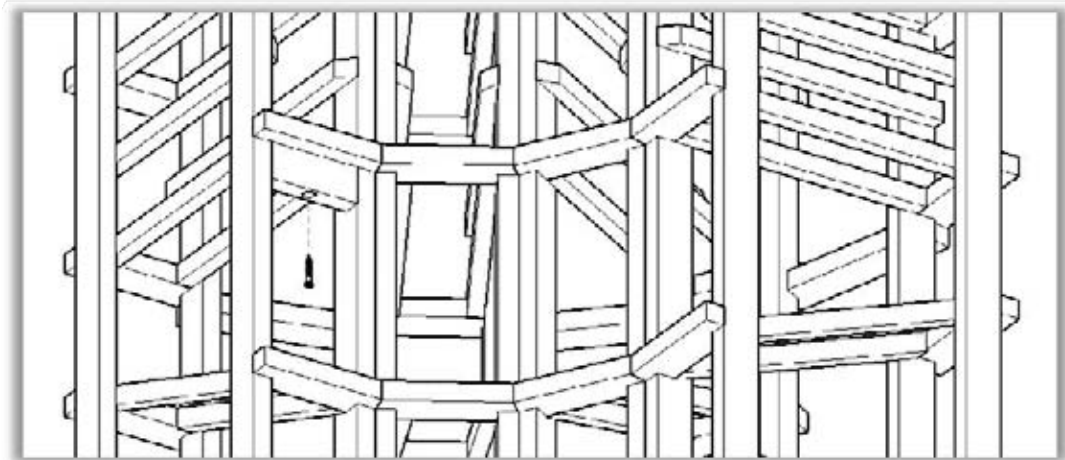
7. Connect the columns in the front by screwing them together at an angle. Using small clamps may help for this step.



8. Repeat step 7 as needed locating additional screws just below the spacer bar locations. For best results, attach the 2 columns in at least four locations.

9. Repeat steps 5 through 7 until all columns have been attached.

10. Locate the light valances. Affix the light valance to the spacer bar above by screwing through the pre-drilled hole on the bottom edge of the valance.



11. Repeat step 10 for three other light valances.

12. Locate the screw head covers and cover all forward facing screws. If you're racking was nailed together, fill all visible brad holes with color putty. You're assembly is complete!

How to Care for Your Stained & Lacquered Wine Racks

Your Vigilant wine racks are built using the highest quality wood and finish available. When properly cared for, your wine racks will last longer than your finest bottles of wine. Here are a few tips on maintaining the quality and consistency of your racking.

Remove Dust: Dust build up from small airborne particles may scratch the surface if not removed correctly. Simply wipe the surface with a cloth dampened with a non-wax cleaning polish or mild detergent.

Clean: Fingerprints, cooking fumes, smoking residue, etc., accumulate on any surface. None of these contaminants will harm our Satin lacquer finish, but they should be periodically removed to restore the finish to its original luster. Just wipe the surface with a cloth dampened with a non-wax containing polish or mild detergent solution. Avoid the use of ammonia based products or silicone oil, as they may cause damage if used over a long period of time.

Our satin lacquer finish is durable and resistant to most household spills. However, spills should be wiped up promptly to avoid potential problems.

Excessive prolonged exposure to direct sunlight, high temperatures and high humidity can cause damage to both the finish and the wood itself. These should be avoided.

Following these simple steps will keep your finished wine racks looking like new for many years.



Superior Design & Craftsmanship

Questions?

Please contact our Customer Service Department
at 888-812-4427

Vigilant Inc.
85 Industrial Park Drive
Dover, NH 03820
(603) 285-0400

Info@vigilantinc.com
Website: vigilantinc.com